

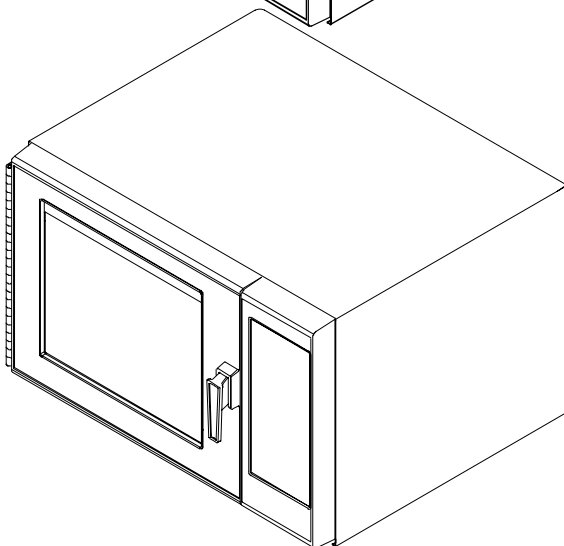
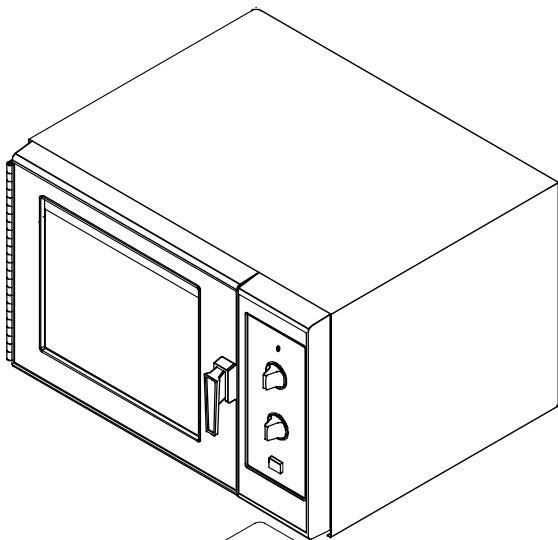
Owner's Manual

Heavy Duty International Commercial

1100W Microwave Oven

Keep these instructions for future reference.

If the oven changes ownership, this manual must accompany oven.



Contents

Model Identification	2
Specifications	2
IMPORTANT SAFETY INSTRUCTIONS	3
PRECAUTIONS TO AVOID POSSIBLE EXPOSURE TO EXCESSIVE MICROWAVE ENERGY	4
Earthing Instructions	7
Installation	7
Display and Features	8
Using the Oven Control (Electronic Models)	10
Programming the Oven Control (Electronic Models)	11
User Options (Electronic Models)	12
Dial Operation	13
Care and Cleaning	14
Before Calling for Service	15
Inspection Record	16

Model Identification

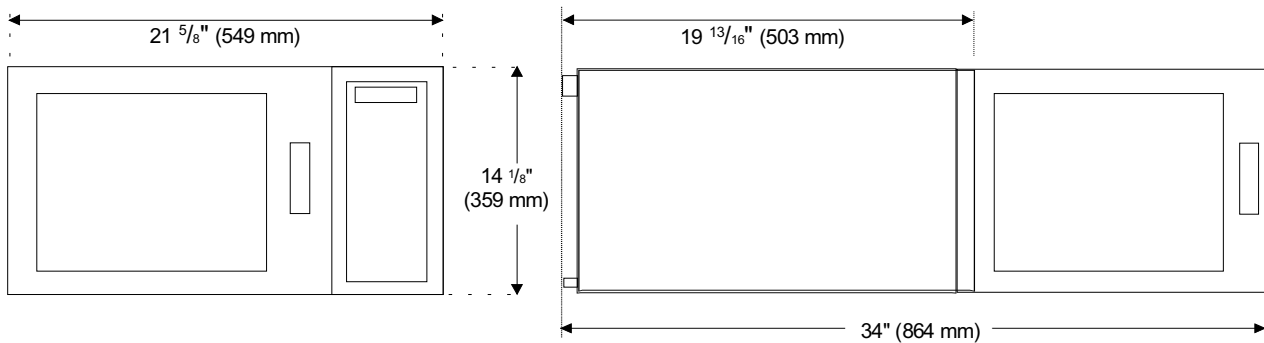
Complete enclosed registration card and promptly return. If registration card is missing, call Consumer Affairs Department at 1-319-622-5511.

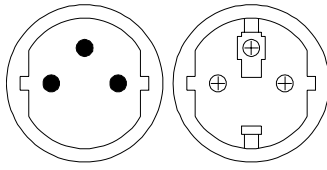
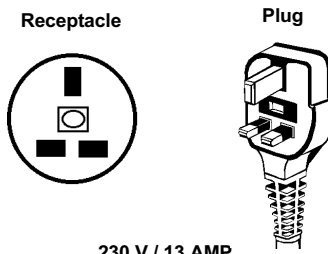
When contacting Amana, provide product information. Product information is located on oven serial plate. Record the following information:

Model Number: _____
 Manufacturing Number: _____
 Serial or S/N Number: _____
 Date of purchase: _____
 Dealer's name and address: _____

Any questions or to locate an authorized servicer, call 1-319-622-5511. If an automated telephone system is reached, select Commercial Microwave Ovens category. Warranty service must be performed by an authorized servicer. Amana also recommends contacting an authorized servicer if service is required after warranty expires.

Specifications



Nominal Microwave Energy (IEC705)	1100 Watts	1100 Watts
Power Source		
Voltage AC	230 VAC	230 VAC
Frequency	50 Hz	50 Hz
Amperage	16 Amp	13 Amp
Single Phase, 3-wire ground	X	X
Power		
Frequency	2450 MHz	2450
Power Consumption	1900 watts	1900
Receptacle and Plug	 <p>230 V / 16AMP</p>	 <p>230 V / 13 AMP</p>

Product specifications can change at any time without notice.

IMPORTANT SAFETY INSTRUCTIONS



Recognize this symbol as a SAFETY message



WARNING

When using electrical oven, basic safety precautions should be followed to reduce risk of burns, electric shock, fire, or injury to persons or exposure to excessive microwave energy.

1. READ all instructions before using oven.
2. READ AND FOLLOW the specific "PRECAUTIONS TO AVOID POSSIBLE EXPOSURE TO EXCESSIVE MICROWAVE ENERGY" on page 4.
3. This oven MUST BE GROUNDED. Connect only to properly GROUNDED outlet. See "EARTHING INSTRUCTIONS" on page 7.
4. Install or locate this oven ONLY in accordance with the installation instructions in this manual.
5. Some products such as whole eggs and sealed containers—for example, closed glass jars—may explode and SHOULD NOT be HEATED in this oven.
6. Use this oven ONLY for its intended use as described in this manual. Do not use corrosive chemicals or vapors in this oven. This type of oven is specifically designed to heat or cook. It is not designed for industrial or laboratory use.
7. As with any oven, CLOSE SUPERVISION is necessary when used by CHILDREN or INFIRM PERSONS.
8. See door cleaning instructions in *Care and Cleaning* section of manual on page 14.
9. DO NOT heat baby bottles in oven.
10. Baby food jars shall be open when heated and contents stirred or shaken before consumption, in order to avoid burns.
11. DO NOT operate this oven if it has a damaged cord or plug, if it is not working properly, or if it has been damaged or dropped.
12. This oven, including power cord, must be serviced ONLY by qualified service personnel. Special tools are required to service oven. Contact nearest authorized service facility for examination, repair, or adjustment.
13. DO NOT cover or block filter or other openings on oven.
14. DO NOT store this oven outdoors. DO NOT use this product near water – for example, near a kitchen sink, in a wet basement, or near a swimming pool, and the like.
15. DO NOT immerse cord or plug in water.
16. Keep cord AWAY from HEATED surfaces.
17. DO NOT let cord hang over edge of table or counter.
18. For commercial use only.



WARNING

To reduce the risk of fire in the oven cavity:

- a. DO NOT overcook food. Carefully attend oven if paper, plastic, or other combustible materials are placed inside the oven to facilitate cooking.
- b. Remove wire twist-ties from paper or plastic bags before placing bag in oven.
- c. KEEP oven DOOR CLOSED, turn oven off, and disconnect the power cord, or shut off power at the fuse or circuit breaker panel, if materials inside the oven should ignite. Fire may spread if door is opened.
- d. DO NOT use the cavity for storage. DO NOT leave paper products, cooking utensils, or food in the cavity when not in use.

SAVE THESE INSTRUCTIONS

IMPORTANT SAFETY INSTRUCTIONS

CAUTION

To avoid risk of personal injury or property damage, observe the following:

1. Briskly stir or pour liquids before cooking with microwave energy to prevent spontaneous boiling or eruption. Do not overheat. If air is not mixed into a liquid, liquid can erupt in oven or after removal from oven.
2. Do not deep fat fry in oven. Fat could overheat and be hazardous to handle.
3. Do not cook or reheat eggs in shell or with an unbroken yolk using microwave energy. Pressure may build up and erupt. Pierce yolk with fork or knife before cooking.
4. Pierce skin of potatoes, tomatoes, and similar foods before cooking with microwave energy. When skin is pierced, steam escapes evenly.
5. Do not operate oven without load or food in oven cavity.
6. Use only popcorn in packages designed and labeled for microwave use. Popping time varies depending on oven wattage. Do not continue to heat after popping has stopped. Popcorn will scorch or burn. Do not leave oven unattended.
7. Do not use regular cooking thermometers in oven. Most cooking thermometers contain mercury and may cause an electrical arc, malfunction, or damage to oven.
8. Do not use metal utensils in oven.
9. Never use paper, plastic, or other combustible materials that are not intended for cooking.
10. When cooking with paper, plastic, or other combustible materials, follow manufacturer's recommendations on product use.
11. Do not use paper towels which contain nylon or other synthetic fibers. Heated synthetics could melt and cause paper to ignite.
12. Do not heat sealed containers or plastic bags in oven. Food or liquid could expand quickly and cause container or bag to break. Pierce or open container or bag before cooking.
13. To avoid pacemaker malfunction, consult physician or pacemaker manufacture about effects of microwave energy on pacemaker.

PRECAUTIONS TO AVOID POSSIBLE EXPOSURE TO EXCESSIVE MICROWAVE ENERGY

- A. **DO NOT** attempt to operate this oven with door open since open door operation can result in harmful exposure to microwave energy. It is important not to defeat or tamper with safety interlocks.
- B. **DO NOT** place any object between oven front face and door to allow soil or cleaner residue to accumulate on sealing surfaces.
- C. **DO NOT** operate oven if it is damaged. It is particularly important that oven door close properly and that there is no damage to:
 1. door (bent)
 2. hinges and latches (broken or loosened)
 3. door seals and sealing surfaces.
- D. Oven should not be adjusted or repaired by anyone except properly qualified service personnel.

SAVE THESE INSTRUCTIONS

MESURES DE SECURITE IMPORTANTES



Ce symbole signale un message de SECURITE



DANGER

Lors de l'utilisation d'appareils électriques, prendre les précautions élémentaires suivantes pour réduire les risques de brûlures, d'électrocution, d'incendie, de blessures ou d'exposition à un excès de micro-ondes.

1. **LIRE** la totalité des instructions avant d'utiliser le four.
2. **LIRE ET SUIVRE** les **PRECAUTIONS CONTRE LES RISQUES D'EXPOSITION A UN EXCES DE MICRO-ONDES**, page 4.
3. Ce four **DOIT ETRE MIS A LA TERRE**. Le brancher uniquement sur une prise correctement reliée à la terre. Voir les **INSTRUCTIONS DE MISE A LA TERRE**, page 7.
4. Mettre en service ou placer ce four **UNIQUEMENT** tel qu'indiqué dans les instructions de mise en service fournies dans ce manuel.
5. Certains aliments ou articles comme les oeufs et les récipients fermés hermétiquement tels que les bocaux, par exemple, peuvent exploser et **NE DOIVENT PAS ETRE UTILISES** dans ce four.
6. Utiliser ce four **UNIQUEMENT** pour les usages pour lesquels il est prévu, décrits dans ce manuel. Ne pas utiliser de vapeurs ni de produits chimiques corrosifs dans cet appareil. Ce type de four est spécifiquement conçu pour faire chauffer ou cuire les aliments. Il n'est pas prévu pour un usage industriel ou en laboratoire.
7. Comme pour tout autre appareil électrique, l'utilisation de cet appareil par les **ENFANTS** doit se faire **SOUS ETROITE SURVEILLANCE**.
8. Voir la marche à suivre pour l'entretien de la porte sous "*Entretien de l'extérieur du four*" dans la partie "*Entretien*" du manuel, page 14.
9. **NE PAS** faire chauffer de biberon au four.
- 10.
11. **NE PAS** utiliser le four si la prise ou le cordon électrique est abîmé, si le four ne fonctionne pas correctement ou si l'appareil est tombé ou a été endommagé.
12. Cet appareil, cordon électrique compris, doit être réparé **UNIQUEMENT** par un technicien qualifié. Des outils spéciaux sont nécessaires à cette fin. Contacter le prestataire de service après-vente agréé le plus proche pour le faire examiner, réparer ou régler.
13. **NE PAS** couvrir ni boucher le filtre ni aucun orifice du four.
14. **NE PAS** placer cet appareil à l'extérieur. **NE PAS** l'utiliser près d'un endroit où il y a de l'eau, comme dans un sous-sol humide, près d'un évier ou d'une piscine ou en tout autre endroit similaire.
15. **NE PAS** plonger le cordon électrique ou la prise dans l'eau.
16. Garder le cordon électrique **A DISTANCE SURE** de surfaces **CHAUFFEES**.
17. **NE PAS** laisser le cordon pendre d'une table ou d'un comptoir.
18. **Pour usage commercial uniquement.**



DANGER

Pour réduire les risques d'incendie à l'intérieur du four :

- a. **NE PAS** trop cuire les aliments. Surveiller attentivement la cuisson si du papier, du plastique ou tout autre matériau combustible est utilisé pour faciliter la cuisson.
- b. Enlever toute attache métallique servant à fermer les sacs en plastique ou en papier avant de placer le sac dans le four.
- c. Si le feu prend dans le four, **LAISSER LA PORTE** du four **FERMEE**, éteindre le four et le débrancher ou couper le courant au niveau du fusible ou du disjoncteur. Si la porte du four est ouverte, l'incendie peut se propager.
- d. **NE PAS** utiliser l'intérieur du four comme espace de rangement. **NE PAS** laisser d'articles en papier, de récipients, d'ustensiles de cuisson nid'aliments dans le four pendant qu'il n'est pas utilisé.

CONSERVER CES INSTRUCTIONS

MESURES DE SECURITE IMPORTANTES



ATTENTION

Pour éviter tous dégâts matériels ou blessures, observer les consignes suivantes :

1. Pour éviter toute ébullition ou éruption spontanée, remuer vigoureusement ou verser les liquides avant de les chauffer au four à micro-ondes. Ne pas trop chauffer. Si de l'air n'a pas été incorporé dans le liquide, celui-ci peut déborder dans le four ou après en avoir été retiré.
2. Ne pas faire de friture dans le four. La graisse pourrait surchauffer et devenir dangereuse à manipuler.
3. Les oeufs ne doivent pas être chauffés ou réchauffés au four à micro-ondes dans leur coquille ou avec leur jaune intact ; cela pourrait provoquer une accumulation de pression et l'éclatement de l'oeuf. Percer le jaune avec une fourchette ou un couteau avant la cuisson.
4. Percer la peau des pommes de terre, tomates et aliments similaires avant de les cuire au four à micro-ondes. Lorsque la peau est percée, la vapeur peut s'échapper uniformément.
5. Ne pas faire fonctionner l'appareil sans nourriture à l'intérieur.
6. Pour faire du pop-corn, utiliser uniquement du maïs en paquet spécial micro-ondes (indiqué sur l'étiquette). Le temps nécessaire pour faire éclater le maïs varie en fonction de la puissance du four. Ne pas continuer à faire chauffer le maïs une fois qu'il a fini d'éclater, car il peut brûler ou s'enflammer. Ne pas laisser le four sans surveillance.
7. Ne pas utiliser de thermomètre de cuisson pour four traditionnel dans le four. La plupart des thermomètres de cuisson contiennent du mercure qui peut causer des arcs électriques ou le mauvais fonctionnement du four, ou encore endommager celui-ci.
8. Ne pas utiliser d'ustensiles métalliques dans le four.
9. Ne jamais utiliser de papier, de plastique ni autre matériau combustible non prévu pour la cuisson.
10. Si la cuisson utilise du papier, du plastique ou autre matériau combustible, suivre les recommandations du fabricant concernant son utilisation.
11. Ne pas utiliser de serviettes en papier contenant du nylon ou autres fibres synthétiques. Ces fibres pourraient fondre et faire enflammer le papier.
12. Ne pas faire chauffer de récipients ni de sacs en plastique hermétiquement fermés dans le four. La nourriture ou le liquide pourrait gonfler rapidement et faire éclater le récipient ou le sachet. Percer ou ouvrir celui-ci avant de le faire chauffer.
13. Pour éviter toute défaillance de stimulateur cardiaque, prière de se renseigner auprès du médecin ou du fabricant du stimulateur au sujet des effets de l'énergie micro-ondes sur ce dispositif.

PRECAUTIONS CONTRE LES RISQUES D'EXPOSITION À UN EXCES DE MICRO-ONDES

- a. **NE PAS** essayer de faire fonctionner le four avec la porte ouverte car cela peut entraîner une exposition dangereuse aux micro-ondes. Il est important de ne pas modifier les verrouillages de sécurité ni d'entraver leur fonctionnement.
- b. **NE PAS** placer d'objet entre le cadre avant du four et la porte ni laisser de saletés ou de résidus de produit nettoyant s'accumuler sur les surfaces formant joint.
- c. **NE PAS** utiliser le four s'il est endommagé. Il est particulièrement important que sa porte ferme correctement et que les éléments suivants ne soient pas endommagés : (1) porte (faussée), (2) charnières et dispositifs de verrouillage (cassés ou présentant du jeu), (3) joints de la porte et surfaces formant joint.
- d. Ce four ne doit **PAS** être réglé ni réparé par une personne autre qu'un technicien de service après-vente dûment qualifié.

CONSERVER CES INSTRUCTIONS

Unpacking Oven

- Inspect oven for damage such as dents in door or inside oven cavity.
- Report any dents or breakage to source of purchase immediately.
Do not attempt to use oven if damaged.
- Remove all materials from oven interior.
- If oven has been stored in extremely cold area, wait a few hours before connecting power.

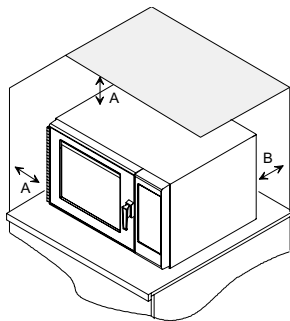
Radio Interference

Microwave operation may cause interference to radio, television, or a similar oven. Reduce or eliminate interference by doing the following:

- Clean door and sealing surfaces of oven according to instructions in *Care and Cleaning* section.
- Place radio, television, etc. as far as possible from oven.
- Use a properly installed antenna on radio, television, etc. to obtain stronger signal reception.

Oven Placement

- Do not install oven next to or above source of heat, such as pizza oven or deep fat fryer. This could cause microwave oven to operate improperly and could shorten life of electrical parts.
- Do not block or obstruct oven filter. Allow access for cleaning.
- Install oven on level countertop surface.
- Place warning label in a conspicuous place close to microwave oven.
- Outlet should be located so that plug is accessible when oven is in place.



A—Allow at least 7" (17.8 cm) of clearance around top and sides of oven. Proper air flow around oven cools electrical components. With restricted air flow, oven may not operate properly and life of electrical parts is reduced.

B—Allow at least 2 9/16" (6.5 cm) between air discharge on back of oven and back wall.

Oven Clearances

The switching operation of this microwave oven can cause voltage fluctuations on the supply line. The operation of this oven under unfavorable voltage supply conditions can have adverse effects. This device is intended for the connection to a power supply system with a maximum permissible system impedance Z_{max} of **0.26 Ohm** at the interface point of the user's supply. The user has to ensure that this device is connected only to a power supply system which fulfills the requirement above. If necessary, the user can ask the public power supply company for the system impedance at the interface point.

WARNING

To avoid risk of electrical shock or death, this oven must be earthed.

WARNING

To avoid risk of electrical shock or death, do not alter the plug.

Earthing Instructions

Oven MUST be earthed. Earthing reduces risk of electric shock by providing an escape wire for the electric current, if an electrical short occurs. This oven is equipped with a cord having a earth wire with a earthing plug. The plug must be plugged into an outlet that is properly installed and earthed.

Consult a qualified electrician or servicer if earthing instructions are not completely understood, or if doubt exists as to whether the oven is properly earthed.

Do not use an extension cord.

If the product power cord is too short, have a qualified electrician install a three-slot receptacle. This oven should be plugged into a separate 50 hertz circuit with a 230 voltage supply. When a microwave oven is on a circuit with other equipment, an increase in cooking times may be required and fuses can be blown.

External Equipotential Earthing Terminal

Equipment has secondary earthing terminal. Terminal provides external earthing connection used in addition to earthing prong on plug. Located on outside of oven back, terminal is marked with symbol shown below.



Display and Features

? If These Features are Different from Yours

These features are intended to show the variety that is available in the product line. If your microwave does not have all the options that are shown, it is not a mistake. The information provided applies to several of the models in the product line.



START Pad

The start pad is used to begin a manual time entry cooking cycle. It is also used to save any changes to programming sequences or user options.



STOP pad

The STOP pad stops a cooking sequence in progress, clears out any remaining time, and also ends a programming or user option cycle. When the STOP pad is used to end a programming or option change, the changes are discarded.



Single Pad Programming

This feature enables each numbered pad to be programmed for a specific use, such as cooking a certain number of potatoes or defrosting and then cooking vegetables or other frozen foods. To use this feature, simply program the pad to the desired length of time and power level. To use this feature, press the pad once and the microwave will begin cooking.



Double Pad Programming

This feature enables 100 programmed entries to be made. Each entry will be assigned a double digit number, for example 01, 05, or 20. When using the double pad programming, two pads must be pressed to start the cooking cycle.



Manual Time Entry

In addition to programmable pads, this microwave also accepts specific time entry by using the TIME ENTRY pad. Using manual time entry does not affect the programmed buttons.



X2 Pad

The X2 Pad increases a preset cooking time by a percentage of the original cooking time (cooking factor). The user specifies the percentage and it can be changed for individual cooking sequences. This feature is very useful for cooking multiple servings of foods such as potatoes or slices of pizza. The X2 pad can be used with either single or double pad programming. To change the cooking factor, see *Programming the Oven Control*.



Stage Cooking

Stage cooking is a cooking sequence with specific power stage changes. The user can program up to four different power level changes and the specific amount of cooking time at each power level. Each power level/cooking time combination is known as a stage. Up to four stages can be programmed. Stage cooking is available in all electronic control models. All microwaves with electronic touchpads have the stage cooking function.



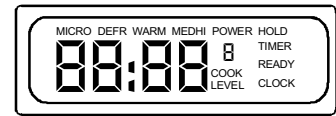
User Options

This microwave can be set for specific user preferences. Options such as beep volume, maximum cooking time, and the number of programmable pads can be changed. To change different options, see *User Options* in this manual.

Display and Features

Cooking Display

DISPLAYS	DESCRIPTION
READY	READY displays when oven control will accept entries.
00:00	Displays cooking time. If stage cooking is programmed, total cooking time is displayed.
DEFR MED MED HI	These settings display the current power level used for the microwave. If no display is shown, microwave is running at full power (100%).
POWER	POWER is displayed while the oven is generating microwave energy during a cooking cycle.



Display

Some items in the display can be seen but are not available depending on model.



Programming Display

DISPLAYS	DESCRIPTION
P:0	Displays when oven is in programming mode for single pad memory only.
P:	Displays when oven is in programming mode for double pad memory.
OP: --	Displays when oven is in user option mode. User options can then be set or specified.
CF:	Displays with a numerical cooking factor when the X2 pad is pressed.
P:-- ¹	Displays briefly when programming a specific cooking stage. Number (1 through 4) indicates the stage that is being programmed.

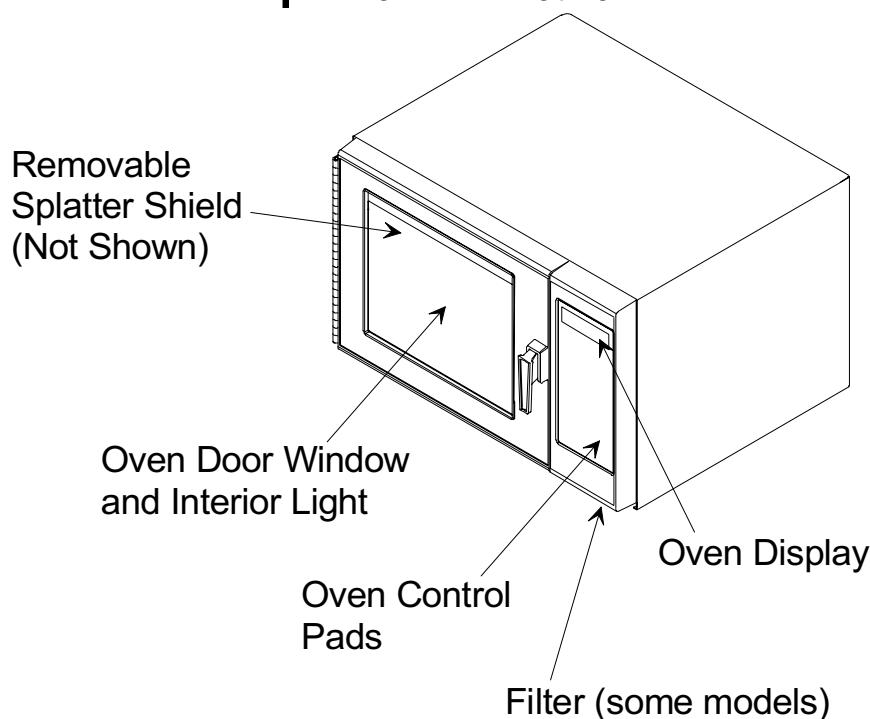
Ready

Ready displays when an oven control will accept entries.



Cooking Displays

25:20 displays total cooking time. When more than one cooking stage is programmed, total time for all stages displays. POWER displays when microwave energy is being generated. DEFR, MED, or MED HI will display to indicate microwave power level being used. If no power level is displayed, the microwave is operating at 100% power.



Using the Oven Control (Electronic Control)



Interrupting Operation

Open oven door or press STOP pad to interrupt operation. Display continues to show countdown time. Close door and press START pad to resume oven operation.



Canceling Mistakes

If oven is not cooking, press STOP pad to clear display. If oven is cooking, press STOP pad once to stop oven, then again to clear display. If oven door is open and time shows in display, close oven door and press STOP pad to clear display.



X2 Pad (some models)

To increase cooking time by a specific cooking factor when cooking more than one serving. The cooking factor is a percentage of the original cooking time (from 10 to 100%).

- Open oven door and place food in oven. Close door.
 - READY** displays. Fan and light will turn on.
- Press X2 pad.
 - Amount of time added is a percentage of the original preprogrammed cooking time.
 - The percentage can be changed. See *Programming the Oven Control* section in this manual.
- Press desired preprogrammed pad or pad sequence.
- Oven begins cooking. Displayed cooking time is the total of original cooking time and added X2 time.

Manual Time Entry

To cook food using a specific entered time and power level.

- Open oven door and place food in oven. Close door.
 - READY** displays. Fan and light will turn on.
- Press TIME ENTRY pad.
 - READY** and display.
 - If pad does not work, open and close oven door and try again.
- Enter cooking time by using the numbered pads.
- Press a power level pad to change power level.
 - COOK LEVEL** displays with the power setting.
 - If a number is not displayed with COOK LEVEL the microwave is set to full power.
- Press START pad.
 - Oven operates and time counts down.
 - POWER, COOK LEVEL** and cooking time display.
- At end of cooking cycle oven beeps and shuts off.



Programmed Pads

To cook food using pads preprogrammed with cooking sequences.

- Open oven door and place food in oven. Close door.
 - READY** displays. Fan and light will turn on.
- Press desired pad.
 - For single pad entry, press only one pad.
 - For double pad entry, press the two pads, in order, of the double digit number for the desired cooking sequence.
 - To change single or double pad entry option see *User Options* section in this manual.
- Oven begins to cook.
 - POWER**, power level and total cooking time display. If power level does not display, microwave is cooking at full power.
 - For additional cooking time, press preprogrammed pad again to begin cooking sequence again.
- At end of cooking cycle oven beeps and shuts off.



Factory Settings

Pad	Time	Pad	Time
1	10 sec.	6	1:30 min.
2	20 sec.	7	2 min.
3	30 sec.	8	3 min.
4	45 sec.	9	4 min.
5	1 min.	0	5 min.

Programming the Oven Control (Electronic Control)

Programming Pads

Oven is shipped from the factory for single pad programming. To change the oven default to allow double pad programming, see *User Option* section.

To change the amount of time or the power level for a preset pad:

1. Open oven door.
 - **READY** displays.
 - If door is closed or STOP pad is pressed before programming is complete, changes are discarded and microwave exits programming mode.
2. Press and hold pad 1 for approximately 5 seconds.
 - This begins programming mode.
 - Microwave will beep and P:0 displays. Oven is in programming mode.
3. Press pad to be reprogrammed.
 - Press two pads if reprogramming a double pad program.
 - Power level and cooking time display.
 - If power level does not display, microwave is set to full power.
4. Enter cooking time by using the number pads.
5. Press a power level pad to change power level if desired.
6. Press START pad to set new programming to the pad.
 - If START is not pressed, changes will not be saved.
 - P:0 displays.
7. Press STOP pad or close oven door to exit programming mode.



? The display shows P: not P:0.

When set to double pad programming, the display will show P: when programming pads for double digit cooking sequences. To change the oven to default to allow single pad programming only, see the *User Option* section.

X2 Programming (some models)

This feature allows a preset percentage of original cook time, called a cooking factor, to be added to a cook sequence.

To change the cooking factor:

1. Open oven door.
2. Press and hold pad 1 for approximately 5 seconds.
3. Press pad to be reprogrammed.
4. Press the X2 pad.
5. Press a numbered pad to change the cooking factor.
 - Cooking factor can be set from 10% to 100%.
 - Default is 80%.
 - Pad 5 would change the cooking factor to 50%.
 - Pad 3 would change the cooking factor to 30%.
6. Press START pad to save changes.

Programming Multiple Stages

Stage cooking allows consecutive cooking cycles without interruption. Up to four different cooking cycles can be programmed into a memory pad.

To use stage cooking:

1. Open oven door.
2. Press and hold pad 1 for approximately 5 seconds.
 - Microwave beeps and P:0 displays. Oven is in programming mode.
3. Press pad to be reprogrammed with stage cooking.
 - Press two pads if reprogramming a double pad program.
4. Enter cooking time by using the number pads.
5. Press a power level pad to change power level if desired.
6. Press TIME ENTRY pad.
 - Display briefly shows the pad number that is being programmed and the stage number to the upper right.
 - Display changes to cook time and power level for the next stage.
7. Enter cook time and power level as in steps 4 and 5.
 - To enter another cooking stage for that pad, press TIME ENTRY pad again.
 - Up to four different stages can be programmed.
8. Press START pad to set new programming changes to the pad.
9. Press STOP pad or close oven door to exit programming mode.



User Options (Electronic Control)

Didn't like an option?

Factory settings are marked in bold. To change the oven back to the factory setting, simply select the option that is marked in bold.

My changes weren't saved.

In order for any changes to be saved, the START pad must be pressed after selecting an option. Shutting the oven door or pressing the STOP/RESET pad will not save changes.

Changing user options

Options such as single or double pad programming, beep volume, and maximum cooking time can be changed to suit individual preferences.

To change options:

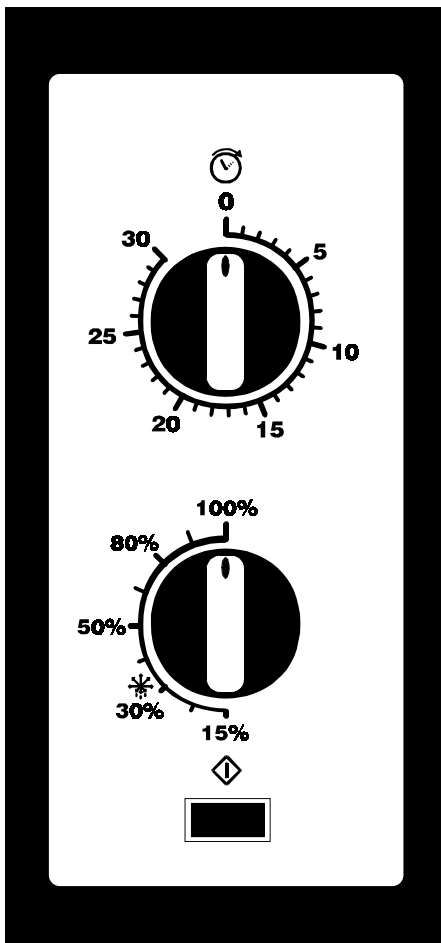
1. Open oven door.
 - If door is closed or RESET pad is pressed before programming is complete, changes are discarded and microwave exits programming mode.
2. Press and hold pad 2 for approximately 5 seconds.
 - This begins options mode.
 - Microwave will beep and **OP**: displays. Microwave is now in programming mode.
3. Press number pad that controls option to be changed.
 - See table below for options.
 - Current option will display.
4. Press number pad again to change the option.
 - Each time pad is pressed, option will change.
 - Match code displayed with code for desired option.
5. Press START pad to save changes.
 - To change additional options, repeat steps 3 and 4.
 - Changes appear after door is closed or STOP/RESET pad is pressed.

Numbered Pads	Display	Options (Factory Settings in Bold)
1 End of Cycle Beep	OP:10	3 second continuous beep.
	OP:11	Continuous beep until door is opened.
	OP:12	5 beeps bursts until door is opened.
2 Speaker Volume	OP:20	Eliminates beep.
	OP:21	Sets volume to low.
	OP:22	Sets volume to medium.
	OP:23	Sets volume to high.
3 Key Beep	OP:30	Prevents beep when pad is pressed.
	OP:31	Allows beep when pad is pressed.
4 Keyboard Enable Window	OP:40	15 seconds after oven door is opened, keyboard disabled.
	OP:41	30 seconds after oven door is opened, keyboard disabled.
	OP:42	1 minute after oven door is opened, keyboard disabled.
	OP:43	2 minutes after oven door is opened, keyboard disabled.
5 Add Time During Heating	OP:50	Prevents adding heating time while oven is heating.
	OP:51	Allows heating time to be changed while oven is heating when a memory pad is pressed.
6 Reset Door Open	OP:60	Allows oven to resume heating time countdown after door is opened during cycle.
	OP:61	Cancels heating time count down after door is opened during cycle.
7 Maximum Heating Time	OP:70	Allows 60 minutes of heating time.
	OP:71	Allows 10 minutes of heating time.
8 Manual Operation	OP:80	Allows use of preprogrammed pads only.
	OP:81	Allows use of manual time entry and preprogrammed pads.
9 Double Digit Operation	OP:90	Allows 10 (0-9) preprogrammed pads.
	OP:91	Allows 100 (00-99) preprogrammed pads.

Dial option is available on some models only.

? If These Features are Different from Yours

These features are intended to show the variety that is available in the product line. If your microwave does not have all the options that are shown, it is not a mistake. The information provided applies to several of the models in the product line.



Heating

1. Open oven door, place food in oven, and close oven door.
2. Turn time entry knob clockwise until desired time displays.
 - Cooking time can be set up to 30 minutes.
3. Turn the power level knob to desired power level.
 - Power level can be set from full power (100%) to 15%.
4. Press (START) button.
 - Oven begins operation and time counts down.
5. When cooking time elapsed, microwave energy stops and oven signal sounds.

Interrupting Operation

Open oven door to interrupt operation or turn time entry knob counterclockwise to “0”.

To resume microwave oven operation, close door and press (START).
If time was changed to “0”, time will need to be reset, and then press (START).

Changing Time and Power/Canceling Mistakes

Heating time and power level can be changed at any time while the oven is operating. Turn knobs to desired new setting. To set cooking time to zero, turn knob counterclockwise to “0”.

Care and Cleaning

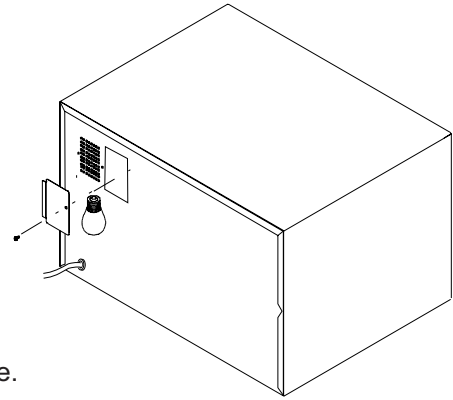


WARNING

To avoid electrical shock which can cause severe personal injury or death, unplug power cord or open circuit breaker to oven before cleaning or removing light bulb.

Replacing Oven Light

1. Disconnect electrical supply.
2. Remove screw from back of oven.
3. While wearing protective gloves, turn light bulb counterclockwise to remove.
4. Replace light bulb with 230-volt, 25-watt appliance bulb. **Do not over-tighten bulb.** Over-tightening may make bulb difficult to remove later.
5. Replace light bulb cover before use.
6. Reconnect power supply.



Removing Splatter Shield

Splatter shield keeps top of microwave oven cavity and antenna from becoming soiled. Clean soil from shield with damp cloth or clean with mild detergent and water. Splatter shield can be removed for easier cleaning.

An authorized servicer MUST inspect equipment annually. Record all inspections and repairs for future use.

1. Unplug oven to stop antenna from rotating.
2. Place fingers behind shield, pull forward, and then down.
 - DO NOT bend antenna.
 - If a gap for fingers behind splatter shield does not exist, push up on splatter shield front. Splatter shield may not be installed fully and cannot be removed until splatter shield front is properly installed.
3. Reinstall splatter shield by placing front tabs over lip at top of oven cavity front. Lift back of shield until shield snaps into place.
4. Reconnect power to oven.

PART	CARE AND CLEANING RECOMMENDATION
Interior, Exterior, and Door	<p>Clean microwave oven with mild detergent in warm water using soft sponge or cloth. Wring sponge or cloth to remove excess water before wiping equipment. If desired, boil a cup of water in microwave oven to loosen soil before cleaning.</p> <p>Important:</p> <ul style="list-style-type: none"> • Do not use abrasive cleansers or cleaners containing ammonia or citrus. These could damage finish. • Never pour water into microwave oven bottom. • Do not use water pressure type cleaning systems.
Discharge Air Vents	<p>Check monthly for a buildup of cooking vapors along intake and discharge louvers on bottom and back of oven. Clean air vents with damp cloth to ensure proper airflow. Dry thoroughly.</p>
Air Intake Filter	<p>Filter is located below oven door. Clean air intake filter weekly for proper airflow. Wash filter in hot water and mild detergent. Do not use oven without filter in place. Remove filter to clean.</p> <p>Important:</p> <p>To avoid overheating and oven damage, clean air filter regularly.</p> <ol style="list-style-type: none"> 1. Grasp filter tab and pull forward. Filter will release from retaining clips. 2. To reinstall, place bottom of filter in clips and push top of filter into position.
Control Panel	<p>Open oven door to deactivate oven timer. Clean with mild detergent in warm water using soft sponge or cloth.</p>

Before Calling for Service



WARNING

To avoid electrical shock which can cause severe personal injury or death, do not remove outer case at any time. Only an authorized servicer should remove outer case.

Record all inspections and repair for future reference.

Symptom	Check
If oven does not operate:	<ul style="list-style-type: none">• Check fuse or circuit breaker.• Confirm oven is plugged into dedicated circuit.• Confirm oven is on grounded and polarized circuit. Contact electrician to confirm.
If oven light does not work:	<ul style="list-style-type: none">• Confirm light bulb is screwed in tightly.• Confirm light bulb has not failed.
If oven does not accept entries when pad is pressed:	<ul style="list-style-type: none">• Open and close oven door. Press pad again.
If oven malfunctions:	<ul style="list-style-type: none">• Unplug oven, wait for 1 minute, and plug in oven.
If oven operates intermittently:	<ul style="list-style-type: none">• Check air discharge area for obstructions.
Oven operates, but does not heat food:	<ul style="list-style-type: none">• Place one cup cool water in oven. Heat for one minute. If water temperature does not rise, oven is operating incorrectly and a servicer should be called.

Inspection Record

An authorized servicer **MUST** inspect equipment annually. Record all inspections and repairs for future use.

Amana Commercial Online • www.amanacommercial.com